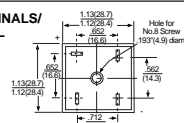
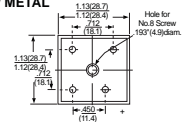
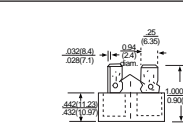
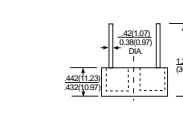
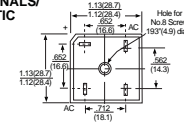
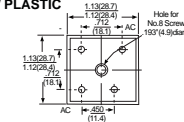
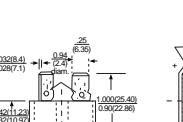
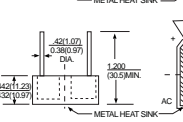


KBPC/BR15/25/35/50 SERIES

SINGLE PHASE 15/25/35/50 AMPS. SILICON BRIDGE RECTIFIERS	<p>Voltage Range 50 to 1000 Volts</p> <p>Current 15/25/35/50 Amperes</p>																																										
<p>FEATURES</p> <ul style="list-style-type: none"> * Surge overload 200-400 Amperes peak * Low forward voltage drop * Mounting Position: Any * Electrically isolated base-1800 Volts * Solderable 0.25" FASTON terminals 	<div style="display: flex; justify-content: space-between;"> <div style="width: 45%;"> <p>TERMINALS/ METAL</p>  <p>LEAD / METAL</p>  </div> <div style="width: 45%;">  <p>TERMINALS/ PLASTIC</p>  <p style="text-align: right;">KBPC</p> </div> </div> <div style="display: flex; justify-content: space-between;"> <div style="width: 45%;"> <p>TERMINALS/ PLASTIC</p>  <p>LEAD / PLASTIC</p>  </div> <div style="width: 45%;">  <p>LEAD / PLASTIC</p>  <p style="text-align: right;">BR</p> </div> </div>																																										
<p>MAXIMUM RATINGS AND ELECTRICAL CHARACTERISTICS</p> <p>Rating at 25°C ambient temperature unless otherwise specified. Resistive or inductive load 50Hz. For capacitive load current by 20%</p>																																											
Type Number	<table border="1" style="width: 100%; border-collapse: collapse;"> <tr> <td></td> <td>KBPC BR</td> <td>KBPC BR</td> <td>KBPC BR</td> <td>KBPC BR</td> <td>KBPC BR</td> <td>KBPC BR</td> <td>KBPC BR</td> <td></td> </tr> <tr> <td></td> <td>15005</td> <td>1501</td> <td>1502</td> <td>1504</td> <td>1506</td> <td>1508</td> <td>1510</td> <td rowspan="4" style="text-align: center; vertical-align: middle;">UNITS</td> </tr> <tr> <td></td> <td>25005</td> <td>2501</td> <td>2502</td> <td>2504</td> <td>2506</td> <td>2508</td> <td>2510</td> </tr> <tr> <td></td> <td>35005</td> <td>3501</td> <td>3502</td> <td>3504</td> <td>3506</td> <td>3508</td> <td>3510</td> </tr> <tr> <td></td> <td>50005</td> <td>5001</td> <td>5002</td> <td>5004</td> <td>5006</td> <td>5008</td> <td>5010</td> </tr> </table>		KBPC BR	KBPC BR	KBPC BR	KBPC BR	KBPC BR	KBPC BR	KBPC BR			15005	1501	1502	1504	1506	1508	1510	UNITS		25005	2501	2502	2504	2506	2508	2510		35005	3501	3502	3504	3506	3508	3510		50005	5001	5002	5004	5006	5008	5010
	KBPC BR	KBPC BR	KBPC BR	KBPC BR	KBPC BR	KBPC BR	KBPC BR																																				
	15005	1501	1502	1504	1506	1508	1510	UNITS																																			
	25005	2501	2502	2504	2506	2508	2510																																				
	35005	3501	3502	3504	3506	3508	3510																																				
	50005	5001	5002	5004	5006	5008	5010																																				
Maximum Repetitive Peak Reverse Voltage	VRRM	50	100	200	400	600	800	1000	V																																		
Maximum RMS Bridge Input Voltage	VRMS	35	70	140	280	420	560	700	V																																		
Maximum Average Forward Rectified Output Current @Tc = 55°C	IF(AV)	KBPC BR 15	15	KBPC BR 25	25	KBPC BR 35	35	KBPC BR 50	50	A																																	
Peak Forward Surge Current 8.3ms single half sine-wave super imposed on rated load	IFSM		300		400		400		500	A																																	
Maximum Forward Voltage Drop per Leg at 7.5/12.5/17.5/25.0A Peak	VF	1.2							V																																		
Maximum Reverse Current at Rate DC Blocking Voltage per element @TA = 25°C	IR	5							uA																																		
Operating Temperature Range Tc	TJ	-55 to +125							°C																																		
Storage Temperature Range TA	TSTG	-55 to +150							°C																																		
<p>NOTES: 1. Also available on KBPC 10W/15W/25W/35W/50W series.</p>																																											

RATING AND CHARACTERISTIC CURVES KBPC/BR 15/25/35/50 SERIES

FIG.1 -MAXIMUN FORWARD SURGE CURRENT

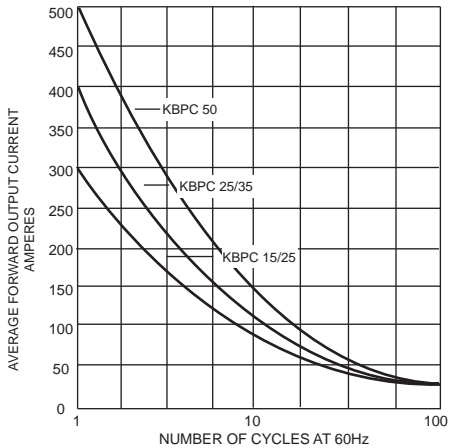


FIG.2 -DERATING CURVE
OUTPUT RECTIFIED CURRENT

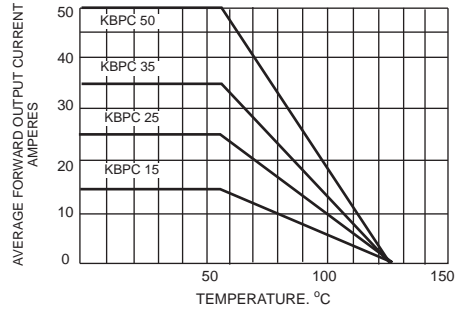


FIG.3-TYPICAL FORWARD
CHARACTERISTICS

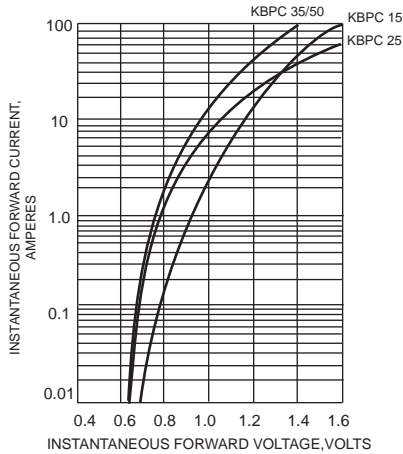


FIG.4 - TYPICAL REVERSE
CHARACTERISTICS

